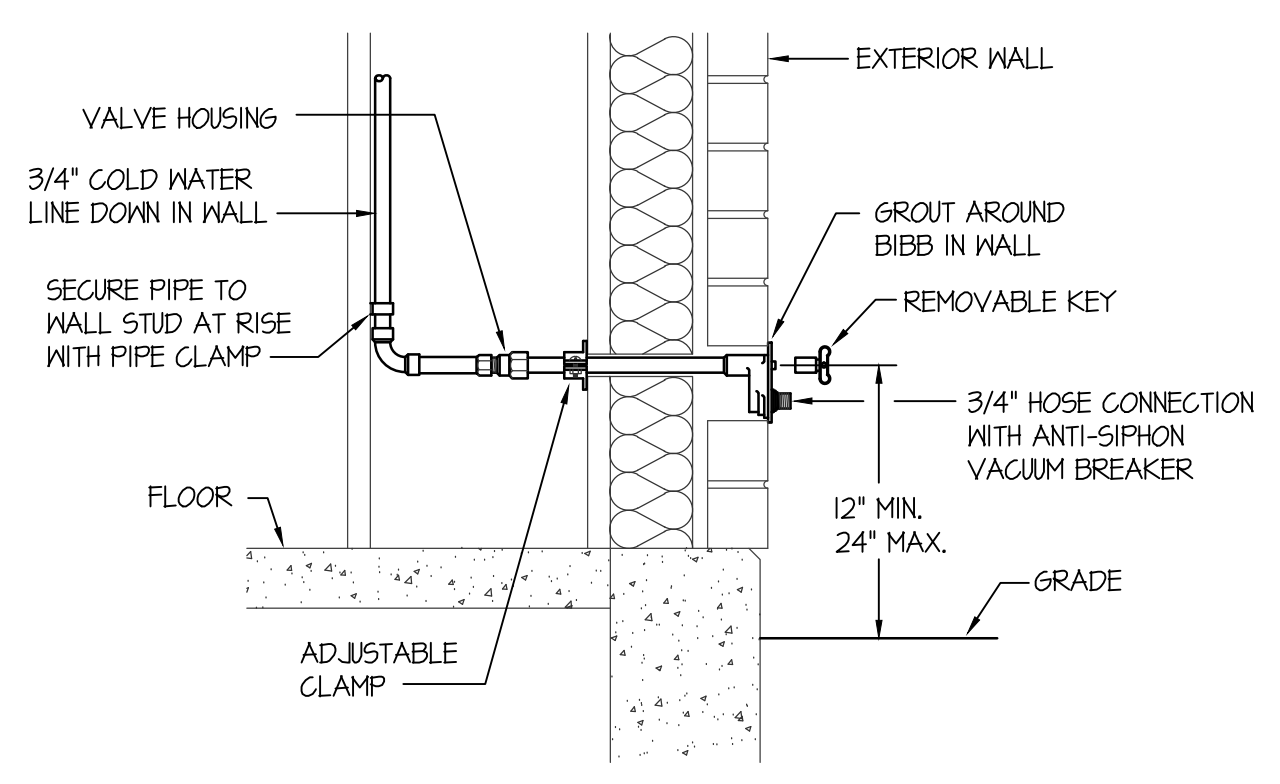
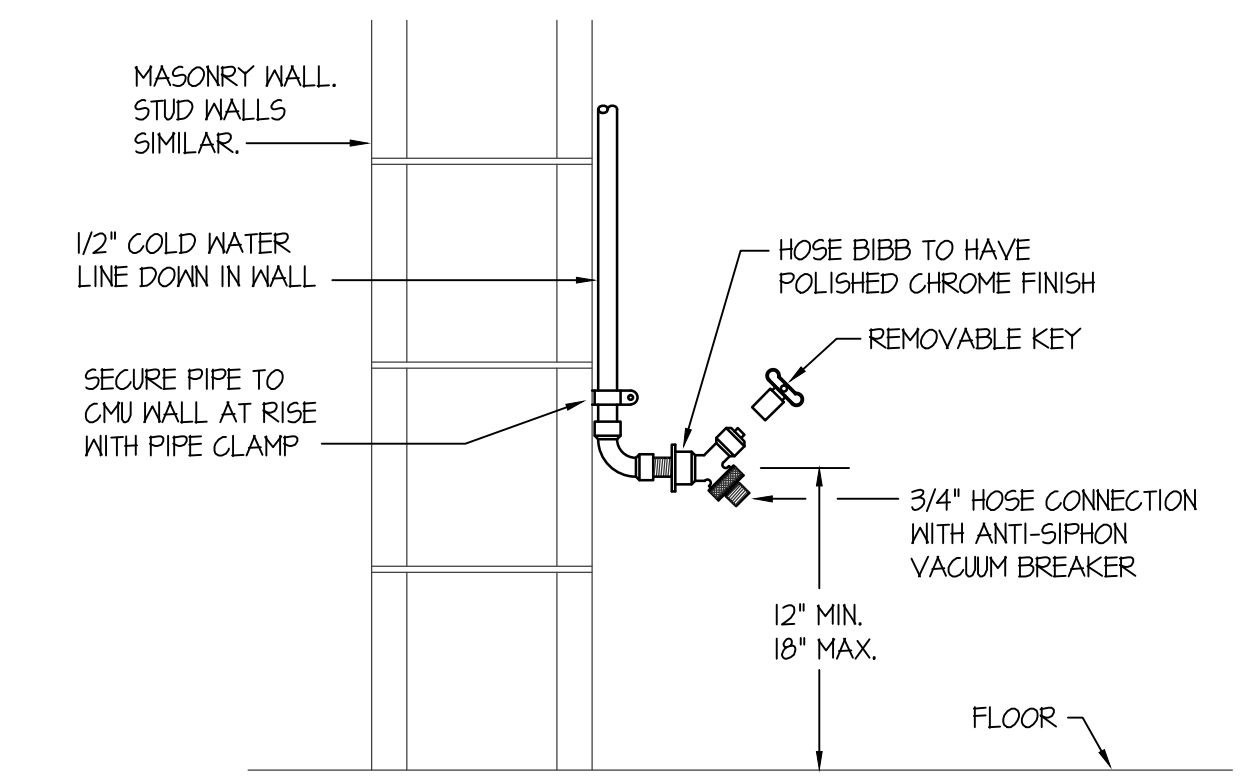


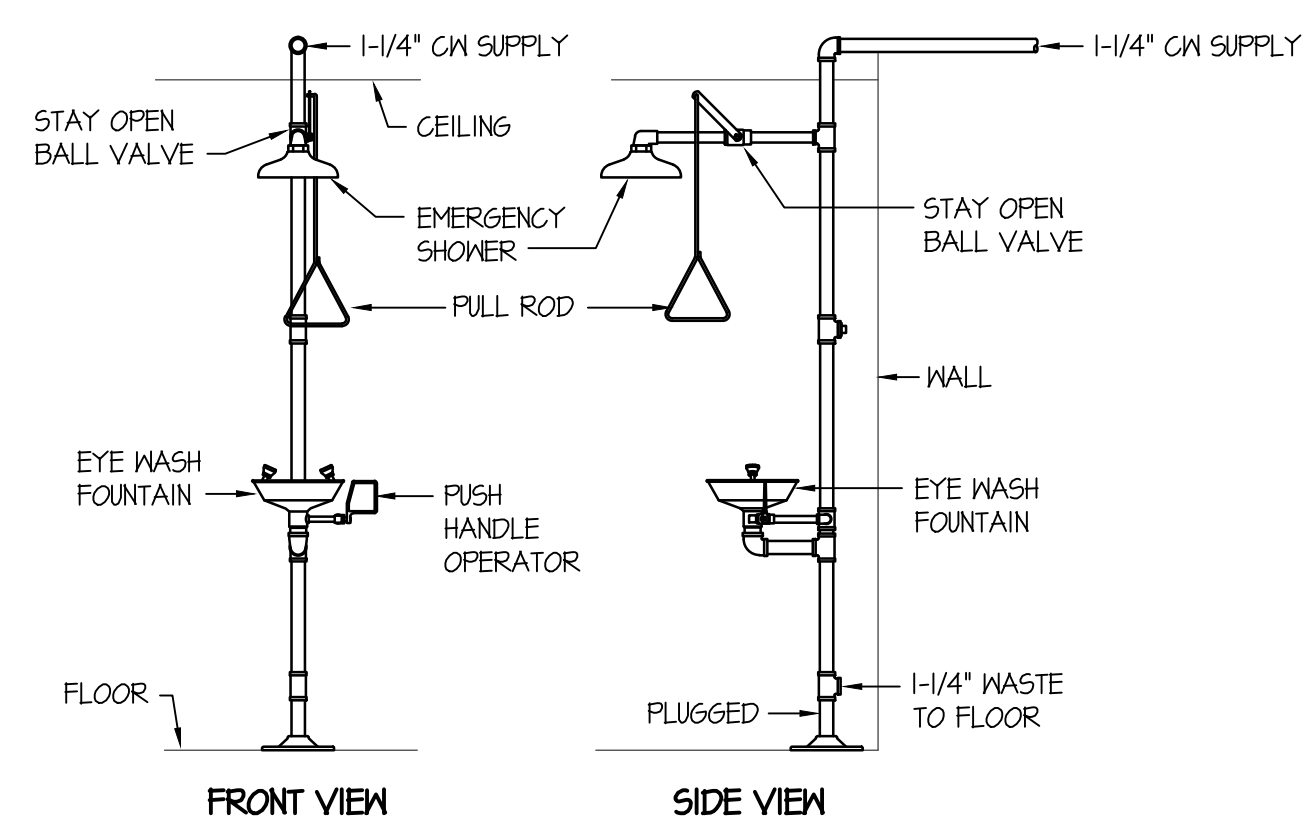
**TRAP PRIMER DETAIL**  
NO SCALE



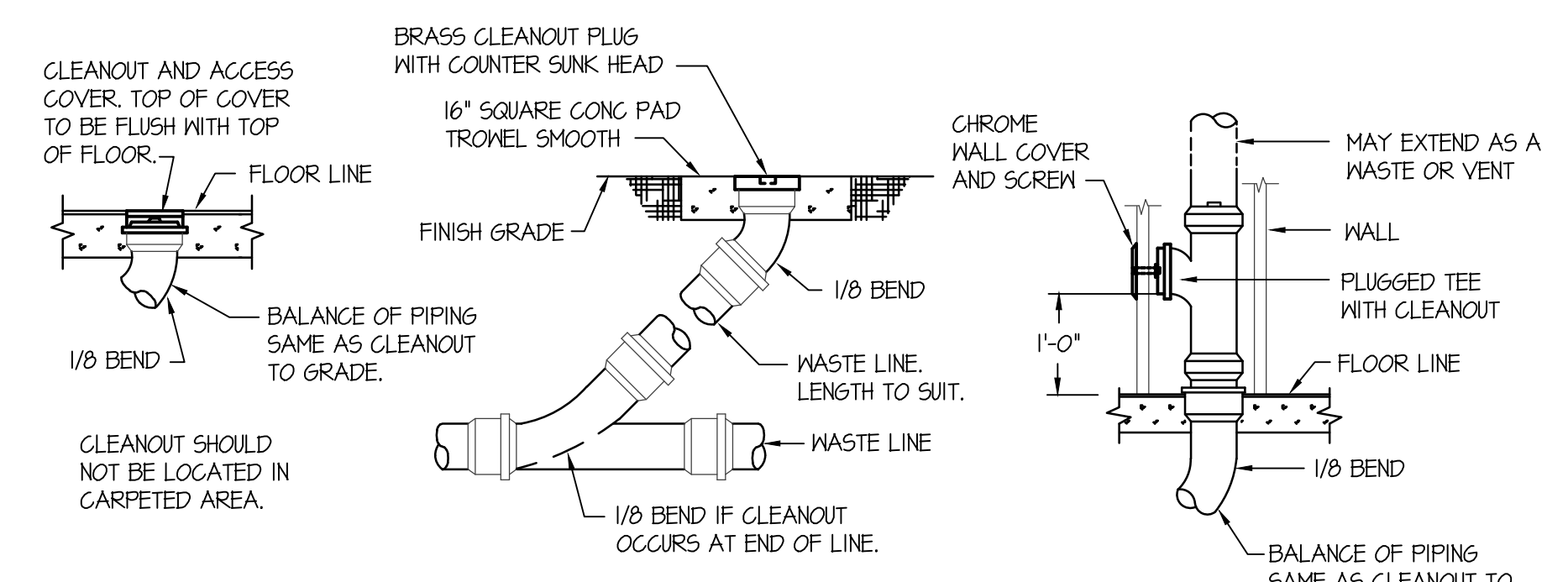
**EXTERIOR HOSE BIBB DETAIL**  
NO SCALE



**INTERIOR HOSE BIBB DETAIL**  
NO SCALE



**EMERGENCY SHOWER DETAIL**  
NO SCALE



**FLOOR CLEANOUT (FCO) CLEANOUT TO GRADE (COTG) WALL CLEANOUT (WCO)**

**CLEAN OUT DETAILS**  
NO SCALE

FIXTURE SCHEDULE					
SYM.	DESCRIPTION	HOT	COLD	WASTE	VENT
DF-1	DOUBLE DRINKING FOUNTAIN - ELKAY MODEL LZ5TL8W6SK WITH EZH2O BOTTLE FILLER FLEXI-GUARD BUBBLERS, 1/2" STOP AND 1-1/2" P-TRAP. PROVIDE ALL INTERCONNECTING PIPING AND DRAIN.	---	1/2"	1-1/2"	1-1/2"
DW-1	UNDER COUNTER DISHWASHER - ROUGH-IN AND CONNECT 1/2" HOT WATER WITH STOP VALVE & 3/4" DRAIN LINE TO SINK SIDE OF P-TRAP ON S-1 USING DISHWASHER CONNECTION.	1/2"	---	3/4" TO S-1	---
ES-1	EMERGENCY SHOWER & EYE WASH - HANS 8200 WITH GREEN ABS PLASTIC SHOWER HEAD WITH INTEGRAL FLOW CONTROL, ABS PLASTIC BOWL, CHROME PLATED BRASS IN-LINE WATER STRAINER, STAY-OPEN SHOWER AND EYEWASH BALL VALVES. POWDER COATED CAST IRON FLOOR FLANGE.	---	1-1/4"	---	---
FD-1	2" FLOOR DRAIN - ZURN Z-415 WITH 5/8" NICKEL-BRONZE STRAINER AND 2" DEEP SEAL P-TRAP WITH ZURN 1022 TRAP PRIMER	---	1/2"	2"	2"
FD-2	2" FLOOR DRAIN - ZURN Z-415 WITH 5/8" NICKEL-BRONZE STRAINER AND 2" DEEP SEAL P-TRAP	---	1/2"	2"	2"
HB-1	INTERIOR HOSE BIBB - WOODFORD MODEL 24 WITH VACUUM BREAKER, HANDLE, AND 1/2" INLET. MOUNT AT 48" AFF ON COLUMN. COMPLETE WITH BALL TYPE SHUT-OFF VALVE	---	1/2"	---	---
HB-2	EXTERIOR HOSE BIBB - ZURN MODEL Z-1310 "ECCOLOTRON" WITH REMOVABLE KEY. LENGTH TO SUIT WALL THICKNESS.	---	3/4"	---	---
JS-1	FLOOR MOUNTED SERVICE SINK - MUSTEE MODEL 63M 24"x24"x10" FLOOR SINK, KOHLER K-8428 FAUCET ASSEMBLY & K-4142 STRAINER & DEEP SEAL P-TRAP.	1/2"	1/2"	2"	2"
L-1	ADA COUNTERTOP LAVATORY - KOHLER MODEL K-2405-4 SELF-RIMMING "FARMINGTON" WITH MOEN L4601 LEVER FAUCET, K-TT15 OPEN GRID STRAINER, 1/2" BALL STOPS AND 1-1/4" P-TRAP. PROVIDE INSULATING JACKET ON HW PIPING AND P-TRAP.	1/2"	1/2"	1-1/2"	1-1/2"
L-2	ADA WALL MOUNTED LAVATORY - KOHLER 2023 "GREENWICH" (SIZE 20"x18") WITH K-TT15 OPEN GRID STRAINER, MOEN L4601 FAUCET, 1/2" STOPS AND 1-1/2" P-TRAP. PROVIDE INSULATING JACKET ON WATER AND WASTE PIPE. PROVIDE CONCEALED ARM CARRIER SYSTEM.	1/2"	1/2"	1-1/2"	1-1/2"
RB-1	REFRIGERATOR SUPPLY BOX - GUY GRAY MODEL BIM815 IW 1/2" x 1/4" SHUT OFF VALVE	---	1/2"	---	---
RP-1	CIRCULATING PUMP - GRUNDFOS MODEL IP15-10B1 BRONZE PUMP WITH 3/4" FLANGES (2 GPM @ 5' OF HEAD) 120/60/1	3/4"	---	---	---
S-1	DOUBLE COMPARTMENT SINK - ELKAY MODEL LR-3314 WITH 18 GA TYPE 304 STAINLESS STEEL CONSTRUCTION, 3-HOLE FAUCET DRILLINGS, MOEN INTEGRA 61315C FAUCET, (2) LK-48 STRAINERS, 1-1/2" P-TRAP AND 1/2" BALL TYPE STOP VALVES.	1/2"	1/2"	1-1/2"	1-1/2"
SH-1	ADA SHOWER - OASIS MODEL SHFW-303T 38"x31"x16-1/4" SHOWER WITH FOLD UP SEAT, GRAB BARS, SHOWER CURTAIN & ROD, MOEN 2352 PRESSURE BALANCING SHOWER VALVE & MOEN 3664EP HANDHELD SHOWER ASSEMBLY WITH 24" SLIDE BAR AND T4P BALANCING VALVE. PROVIDE 2" DRAIN WITH DEEP SEAL P-TRAP. SEE PLAN FOR RIGHT OR LEFT HAND.	1/2"	1/2"	---	---
TD-1	TRENCH DRAIN - ZURN MODEL Z886 LINEAR TRENCH DRAIN SYSTEM WITH 4" END OUTLET AND 6" WIDE HEAVY DUTY GRATE. TRENCH DRAIN TO BE 40'-0" IN LENGTH. SEE FLOOR PLANS.	---	---	4"	---
U-1	ADA WALL MOUNTED URINAL - KOHLER K-4984-T "FRESHMAN" WITH WALL CARRIER & SLOAN REGAL 106 SFSM-0.5 BATTERY FLUSH VALVE. MOUNT AT ADA LEVEL.	---	3/4"	2"	2"
WC-1	ADA TANK TYPE WATER CLOSET - KOHLER K-3493 "HIGHLINE" IW ELONGATED BOWL, K-4610-C WHITE OPEN FRONT SEAT, BOLT CAPS AND 1/2" STOP VALVE. VERIFY RIGHT OR LEFT TRIP LEVER TO MATCH ADA STALL PLACEMENT IN RESTROOM.	---	1/2"	4"	2"
WH-1	GAS INSTANTANEOUS WATER HEATER - A.O. SMITH MODEL A11-140H-N CONDENSING WATER HEATER WITH 120,000 BTU INPUT, (2) 3" Ø CONCENTRIC VENT KIT THRU ROOF. 120/60/1 POWER REQUIRED FOR HEATER	3/4"	3/4"	---	---

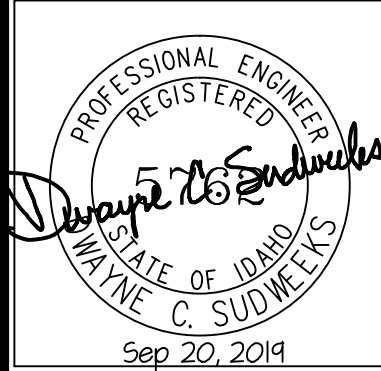
F:\V\13055 GOODING FIRE STATION\13055 P-3.dwg Sep 20, 2014 9:45am



**Engineered Systems Associates**  
**Mechanical Engineers**  
Dwayne Sudweeks  
1355 East Center - Pocatello, Idaho 83201  
Phone: (208) 233-0501 Fax: (208) 233-0529 email: esa@engsystems.com

**A NEW BUILDING FOR:**  
**GOODING FIRE DEPARTMENT**  
**GOODING, IDAHO**  
**PLUMBING SCHEDULES & DETAILS**

PROJECT:  
SHEET TITLE:



DRWN. BY: **SR**      CDD. BY: **DCS**  
JOB NO. **13055**      DATE: **AUG. 2014**

SHEET: **3**  
OF: **THREE**